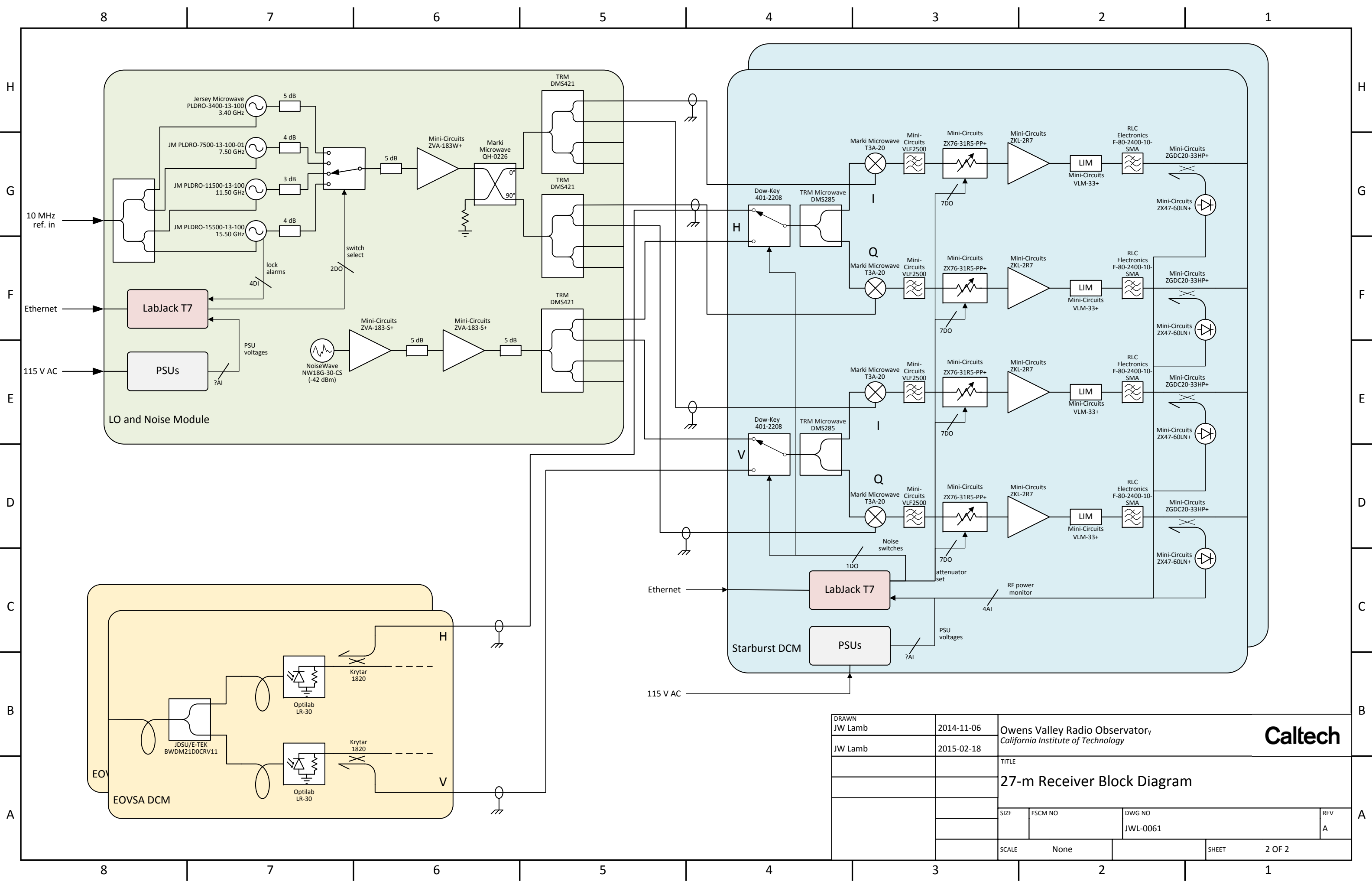


DRAWN JW Lamb	2014-11-06	Owens Valley Radio Observatory		Caltech
JW Lamb	2015-02-18	California Institute of Technology		
		TITLE		
		27-m Receiver Block Diagram		
		SIZE	FSCM NO	REV A
			DWG NO JWL-0061	
		SCALE None	SHEET 1 OF 2	



DRAWN	2014-11-06	Owens Valley Radio Observatory		Caltech
JW Lamb	2015-02-18	California Institute of Technology		
TITLE		27-m Receiver Block Diagram		
SIZE	FSCM NO	DWG NO	REV	
		JWL-0061	A	
SCALE	None	SHEET		2 OF 2